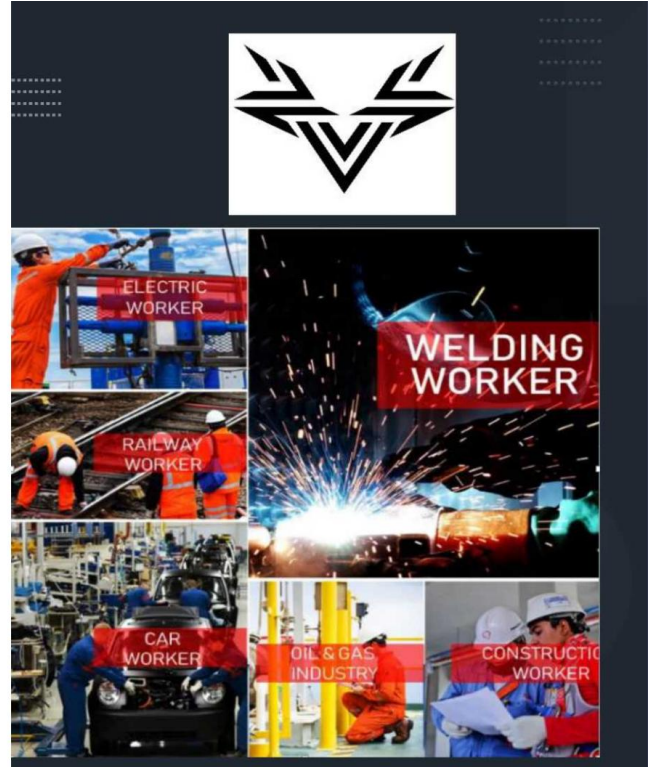


VCON GLOBAL TRADING

Web: www.vcongt.com Email: sales@vcongt.com
Phone: +971 50 768 9645 City Free Zone, Sharjah
United Arab Emirates





Plastic Rebar Chairs & Wheels



Steel Rebar Supports

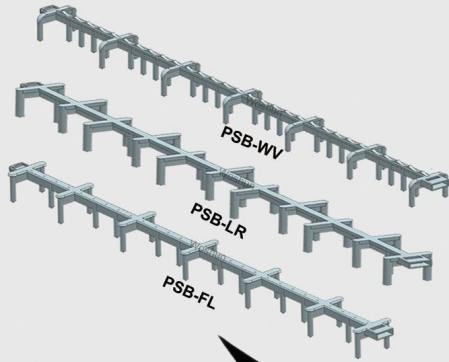


Rebar Caps



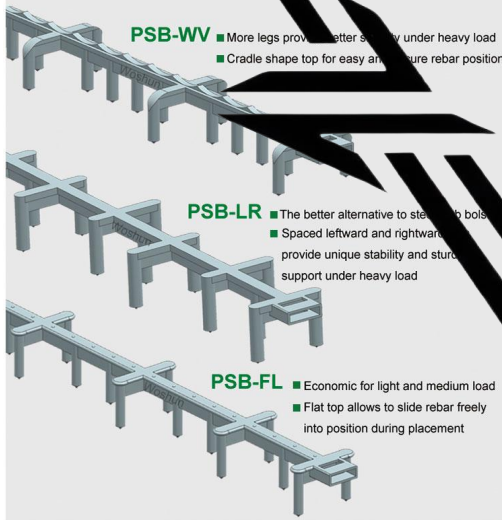
PSB Plastic Slab Bolster

- Provide strong support for heavy loads
PCABS material on request for heaviest loads
- Light weight for simple install
- Height from 1" to 3"(25 to 75mm)



SOG Slab On Ground Chair

- Tested to AS/NZS 2425:2015
- Load strength 120kgs+
- Use for slab on ground application



- PSB-WV**
- More legs provide better stability under heavy load
 - Cradle shape top for easy and secure rebar position

- PSB-LR**
- The better alternative to standard PSB bolsters
 - Spaced leftward and rightward provide unique stability and sturdy support under heavy load

- PSB-FL**
- Economic for light and medium load
 - Flat top allows to slide rebar freely into position during placement

Strength and stability
perform very well under normal load

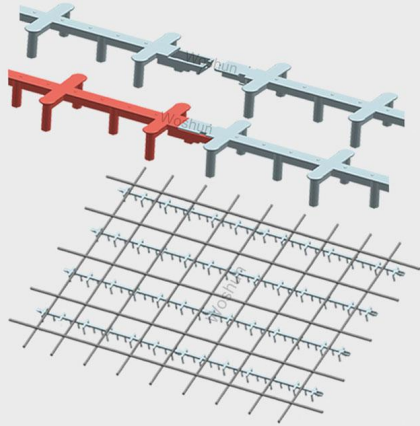
Dual heights
for both reinforcing mesh and bar

Designed legs
for sturdy support for optimized stacking

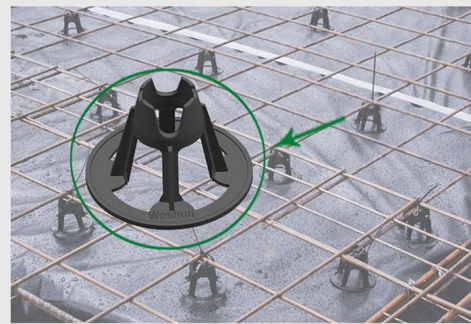
Large flat base

For extra stability to minimize penetration through waterproof film

- Joint connector enable desired length
- 2.5 feet (0.76m) each piece
- Available sold in 5ft. & 10ft.

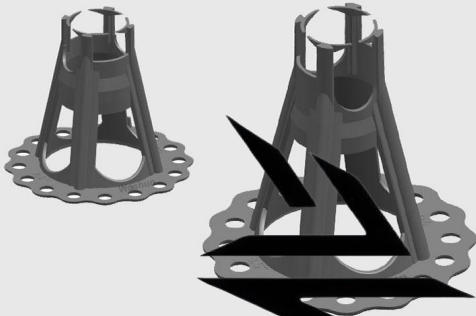


Item Code	Concrete Cover		Pcs/Bag
SOG25/40	1"/1 1/2"	25/40mm	100
SOG50/65	2"/2 1/2"	50/65mm	100
SOG75/90	3"/3 1/2"	75/90mm	100



TMP Rebar Chair with Plate

- Meet CRSI requirements
- Made from high strength plastic material
- For use on soft ground, insulation, waterproof film or in ground floor slabs



RCC Rebar Clip Chair

- A sturdy general purpose spacer
- Used on horizontal or vertical bars
- Fast clip-on designed top for all types of applications



Strength and stability

perform very well under normal loads



Easy snap-in top
ensures correct placement

Large base
for minimize penetration
through the waterproof film



Item Code	Concrete cover		Pcs./Box
TMP15/20	15/20mm	3/4"/1"	500
TMP25/30	25/30mm	1 1/4"/1 1/2"	500
TMP40/50	40/50mm	1 1/2"/2"	500
TMP50/60	50/60mm	2"/2 1/2"	300
TMP70/80	70/80mm	2 3/4"/3 1/4"	300
TMP75/90	75/90mm	3"/3 1/2"	300
TMP90/100	90/100mm	3 1/2"/4"	250



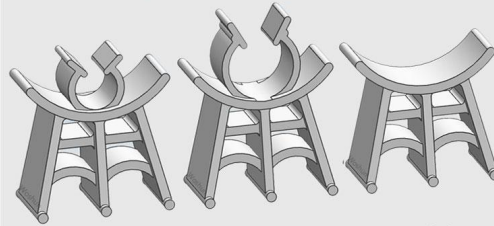
HRCC Rebar Clip Chair

- A medium to heavy duty spacer
- Used on horizontal or vertical bars
- For bar diameter up to 25 mm
- Fast clip-on designed top for all types of applications



ASC Rebar Chair with Clip

- A popular & low cost chair spacer
- Use for horizontal applications such as suspended slabs, beams, etc
- Good stability for different bar diameter



8-10mm

12-16mm

ASC

Multiple Heights

15mm up to 50mm, each 5mm increments

Item Code	Concrete Cover	For bar dia	Pcs/Bag
ASC8-10/15	15mm	5/8"	2000
ASC8-10/20	20mm	3/4"	1000
ASC8-10/25	25mm	1"	1000
ASC8-10/30	30mm	1 1/4"	1000
ASC8-10/40	40mm	1 1/2"	500
ASC8-10/50	50mm	2"	500
ASC12-16/15	15mm	5/8"	2000
ASC12-16/20	20mm	3/4"	1000
ASC12-16/25	25mm	1"	1000
ASC12-16/30	30mm	1 1/4"	1000
ASC12-16/40	40mm	1 1/2"	500
ASC12-16/50	50mm	2"	500
ASC15	15mm	5/8"	2000
ASC20	20mm	3/4"	1000
ASC25	25mm	1"	1000
ASC30	30mm	1 1/4"	1000
ASC40	40mm	1 1/2"	500
ASC50	50mm	2"	500



AS Rebar Chair

- A popular & low cost chair spacer
- Use for horizontal applications such as suspended slabs, beams, etc
- Good stability for different bar diameter



15mm up to 50mm, each 5mm increments

Item code	Concrete cover	Pcs./Bag
AS15	15mm	3,000
AS20	20mm	3,000
AS25	25mm	2,000
AS30	30mm	2,000
AS40	40mm	1,000
AS50	50mm	1,000



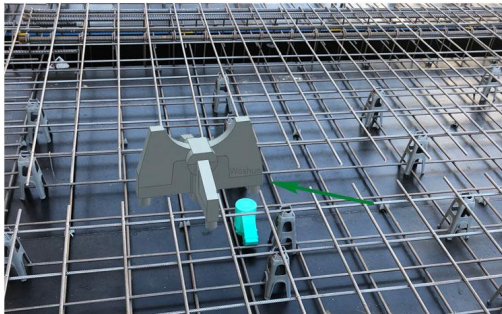
BDC Bottom Deck Chair

- Tested to AS/NZS 2425:2015
- Load strength 200kgs+
- Tested with plastic temperature of 35C with no failure



Strength and stability

perform very well under normal loads



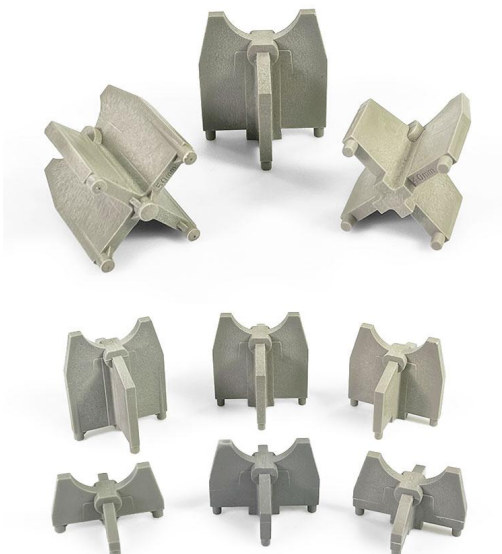
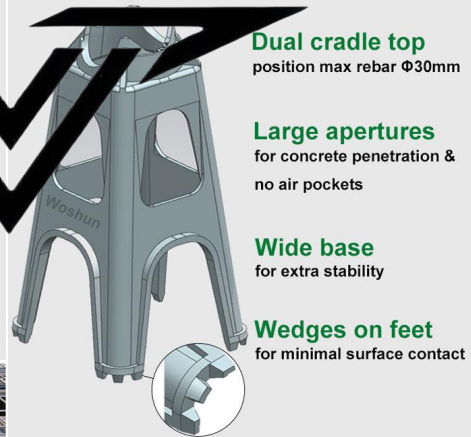
TDC Top Deck Chair

- For use in suspended slabs & panels
- Tested to AS/NZS 2425:2015
- Load strength 120kgs+



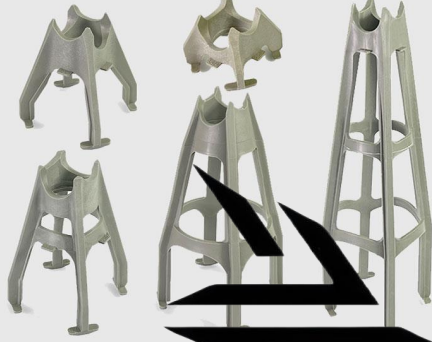
Strength and stability

perform very well under normal loads



PHC Plastic High Chair

- Meet CRSI requirements
- Tested and approved for D.O.T use
- Well suited for Tilt-up applications



Strength and stability

perform very well under normal loads



Dual cradle top
position max rebar #10

Big open center
allow excellent concrete
flow and consolidation

Angled legs
prevent torsion & buckling

Tapered feet
for minimum formwork contact

Item Code	Concrete Cover	Pcs/Box
PHC0.75	3/4" - 3/4"	20/20mm
PHC1.15	1-1 1/2"	25/40mm
PHC1.25-1.75	1 1/4" - 1 3/4"	30/45mm
PHC2.25	2-2 1/2"	50/60mm
PHC2.25-2.75	2 1/4" - 2 3/4"	55/70mm
PHC3.35	3-3 1/2"	75/90mm
PHC3.25-3.75	3 1/4" - 3 3/4"	80/95mm
PHC4.45	4-4 1/2"	100/115mm
PHC4.25-4.75	4 1/4" - 4 3/4"	110/120mm
PHC5.5 SR	5-5 1/2"	125/140mm
PHC5.25-5.75 SR	5 1/4" - 5 3/4"	130/145mm
PHC6.6 SR	6-6 1/2"	150/165mm
PHC6.25-6.75 SR	6 1/4" - 6 3/4"	160/170mm
PHC7.7 SR	7-7 1/2"	175/190mm
PHC7.25-7.75 SR	7 1/4" - 7 3/4"	185/195mm
PHC8.8 SR	8-8 1/2"	200/215mm
PHC8.25-8.75 SR	8 1/4" - 8 3/4"	210/220mm
PHC9.9 SR	9-9 1/2"	225/240mm
PHC9.25-9.75 SR	9 1/4" - 9 3/4"	235/250mm
PHC10.10 SR	10-10 1/2"	255/265mm
PHC10.25-10.75 SR	10 1/4" - 10 3/4"	260/275mm
PHC11.11 SR	11-11 1/2"	280/290mm
PHC11.25-11.75 SR	11 1/4" - 11 3/4"	285/300mm
PHC12.12 SR	12-12 1/2"	305/320mm
PHC12.25-12.75 SR	12 1/4" - 12 3/4"	310/325mm
PHC13.13 SR	13-13 1/2"	330/340mm
PHC13.25-13.75 SR	13 1/4" - 13 3/4"	335/350mm
PHC14.14 SR	14-14 1/2"	355/370mm
PHC14.25-14.75 SR	14 1/4" - 14 3/4"	360/375mm
PHC15.15 SR	15-15 1/2"	380/395mm
PHC15.25-15.75 SR	15 1/4" - 15 3/4"	340/400mm
PHC16.16 SR	16-16 1/2"	405/420mm
PHC16.25-16.75 SR	16 1/4" - 16 3/4"	410/425mm
PHC17.17 SR	17-17 1/2"	430/445mm
PHC17.25-17.75 SR	17 1/4" - 17 3/4"	440/450mm



3/4" to 4-3/4"
no ring

5" to 10-3/4"
with 1 ring

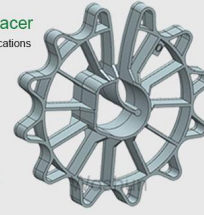
11" to 13-3/4"
with 2 rings

14" to 17-3/4"
+ extension base



UNI Universal Wheel Spacer

- Extensively used circular spacer
for vertical precast and on site concrete applications
- Wide contact surface
increase load capacity and prevent tipping
- Large clamping range
for different steel diameters
- Minimal contact to formwork



Item Code	Concrete cover	For bar size	Pcs/bag
UNI 4-12/20	20 mm	3/4" - 4-12 mm	#1-#4
UNI 4-12/25	25 mm	3/4" - 4-12 mm	#1-#4
UNI 4-12/30	30 mm	3/4" - 4-12 mm	#1-#4
UNI 4-12/40	40 mm	1/2" - 4-12 mm	#1-#4
UNI 4-12/50	50 mm	2" - 4-12 mm	#1-#4
UNI 6-20/20	20 mm	3/4" - 6-20 mm	#2-#6
UNI 6-20/25	25 mm	1" - 6-20 mm	#2-#6
UNI 6-20/30	30 mm	1 1/2" - 6-20 mm	#2-#6
UNI 6-20/40	40 mm	1 1/2" - 6-20 mm	#2-#6
UNI 6-20/50	50 mm	2" - 6-20 mm	#2-#6
UNI 6-20/60	60 mm	2 1/2" - 6-20 mm	#2-#6



PCS Pile Cage Spacer

- Designed for pile cages and diaphragm walls
- Easily clipped onto helical bars in pile cages
- Availability of further sizes on application



PCS75



PCS75/8-16

Item Code	Concrete cover	For bar size	Pcs/bag
PCS75	75mm	3" - 8-16 mm	≤ #5
PCS75/8-16	75mm	3" - 8-16 mm	#3-#5



